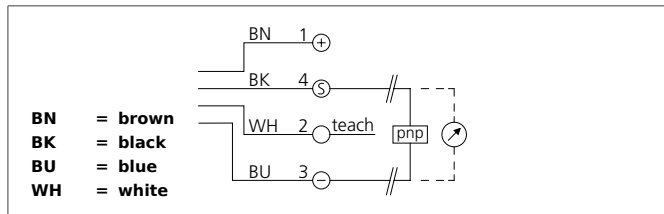


USTI 12 TFB 150 PSOK-IBSL

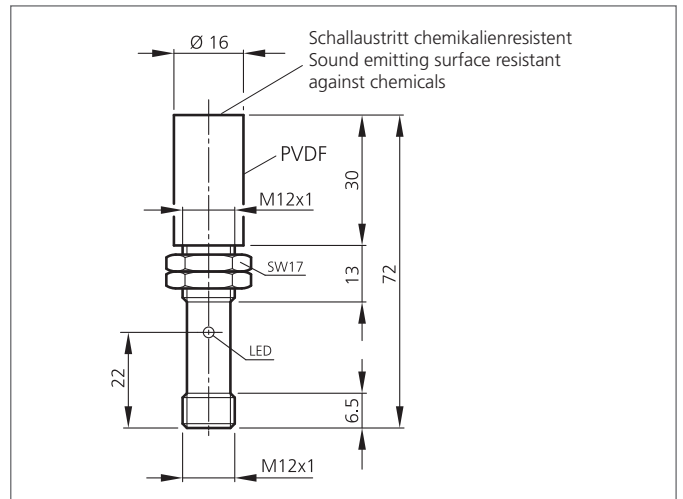
Ultrasonic Sensor

- Housing resistant against aggressive media and gases
- Narrow detection beam / small blind zone
- Switching functions: NO/NC, frame function teachable
- Small design
- Scanning does not depend on surface



Safety instructions

The Instruments are not to be used for safety applications, in particular applications in which safety of persons depends on proper operation of the instruments.
 These instruments shall exclusively be used by qualified personnel.



TECHNICAL INFORMATION (typ.)	+20°C, 24V DC
Operating principle	Ultrasonic sensor
Evaluation	digital
Size	M12 x 1 (thread)
Design	screw
Service voltage	10 ... 30 V DC
Internal power consumption	< 30 mA
Operating distance	0 ... 150 mm
Sensitivity adjustment	Teach key
Switching output	pnp, 100 mA, NO/NC
Switching hysteresis	1 % axially
Operating frequency	400.000 Hz
Ripple	10 %
Switching frequency	13 Hz
Repeatability	0,5 %
Ambient temperature	-25 ... +70 °C
Insulation voltage endurance	500 V
Protection class	IP 65
Casing material	brass nickel plated PVDF / polyamide
Connection	Connector, M12, 4-poled